

# TECHNICAL DATASHEET: YH119A3

Archivo	Revisión	Elaboro	Hoja
YH119A3_TDS	03/2023	RGE	1

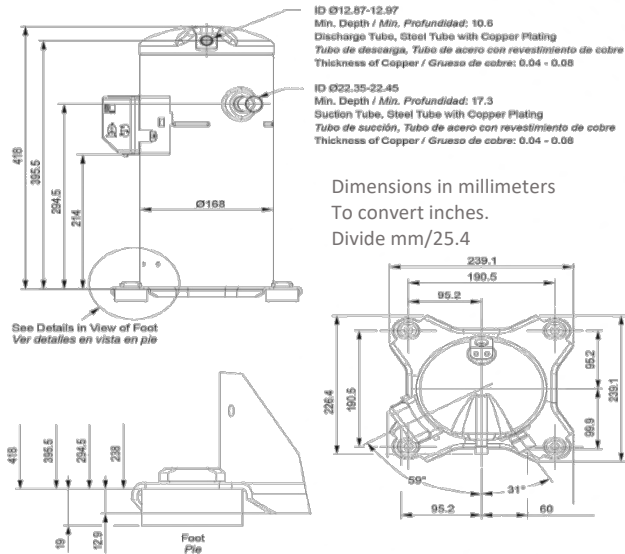
TEST CONDITION AHRI-540-2020   HIGH TEMPERATURE/AIR CONDITINING/CHILLERS						R-22	460V /3PH/50-60Hz	TOLERANCE ± 10%
Units	Te	Tc	SH	SC	Tret.			
Imperial °F	45	130	20	15	65			

NOMINAL TEST CONDITION PARAMETERS	Value	Imperial	Value	International	Comments
Frigorific potency	49076	Btuh	14,392	Watt	
Instant energy consumption	4387	Watt	4387	Watt	
Efficiency   BTUh/W (EER)   W/W (COP)	11.19	Btuh/W	3.12	W/W	
Nominal current consumption	20.42	A	20.42	A	
Nominal Displacement	0.00	In/Rev	66.1	Cm <sup>2</sup> /Rev.	
Total heat rejection	64,036	Btuh	10,964	Watt	

Mechanical data	
Displacement at 3500 RPM	4.76 CFM
Commercial Horsepower	4HP
Compressor Weight	33 kg (72.6 Lb.)
POE Oil original charge	1.4 L (49 Oz.)
POE Oil refilling charge	1.25 L (44 Oz.)
Center holes mounting	7.5 x 7.5 in
Required food print	9.5 x 9.5 in
Total height	16.5 in
Ø Discharge tube	½"
Ø Suction Tube	7/8"

Electrical data	
Braker protection MOC	10 A.
Locked Rotor Amp. LRA	45 A.
Voltage range	460 VAC
Phases	3
Electric supply frequency	50 - 60 HZ
VFD app range	35 - 65 Hz
Run capacitor	None
Start capacitor	None
Start relay	None
Crankcase heater	70 W



Frigorific potency in Btuh performance at different conditions in °F								
↓Tc   Te→	-13	0	10	20	30	40	50	54
77	17622	24726	31249	38831	47608	57682	69226	74280
80	17281	24350	30805	38352	47061	57033	68508	73495
90	16188	23052	29336	36645	45115	54814	65947	70797
100	15129	21755	27800	34869	43031	52423	63215	67928
110		20389	26229	32991	40846	49896	60312	64854
120			24589	31044	38557	47232	57238	61644
130				28995	36167	44431	53994	58229

Instantaneous potency in W performance at different conditions in °F								
↓Tc   Te→	-13	0	10	20	30	40	50	54
77	10.37	10.95	11.24	11.44	11.59	11.76	11.98	12.09
80	10.72	11.3	11.58	11.78	11.94	12.1	12.32	12.43
90	11.97	12.54	12.82	13.01	13.16	13.32	13.53	13.64
100	13.42	13.97	14.24	14.41	14.55	14.69	14.89	15
110		15.65	15.9	16.05	16.17	16.29	16.47	16.56
120			17.86	17.98	18.07	18.16	18.31	18.4
130				20.26	20.31	20.37	20.49	20.56

Current consumption in Ampere							
-13	0	10	20	30	40	50	54
2181	2314	2380	2427	2465	2502	2550	2574
2263	2395	2461	2508	2545	2582	2629	2654
2555	2683	2746	2790	2825	2860	2906	2930
2884	3006	3065	3105	3135	3167	3210	3233
	3375	3428	3462	3487	3514	3552	3573
		3848	3875	3894	3914	3946	3964
			4355	4365	4377	4401	4416

Mass flow in Lb/h							
-13	0	10	20	30	40	50	54
99.23	139.51	174.79	214.61	259.96	311.5	370.26	395.9
98.56	138.91	174.24	214.13	259.56	311.19	370.04	395.71
96.37	136.83	172.29	212.33	257.94	309.77	368.85	394.63
94.19	134.62	170.08	210.15	255.81	307.73	366.92	392.75
	132.21	167.55	207.53	253.12	305	364.18	390.01
		164.62	204.38	249.79	301.5	360.55	386.33
			200.65	245.74	297.18	355.97	381.66