

# TECHNICAL DATASHEET: YH140A7

Archivo	Revisión	Elaboro	Hoja
YH140A7_TDS	03/2023	RGE	1

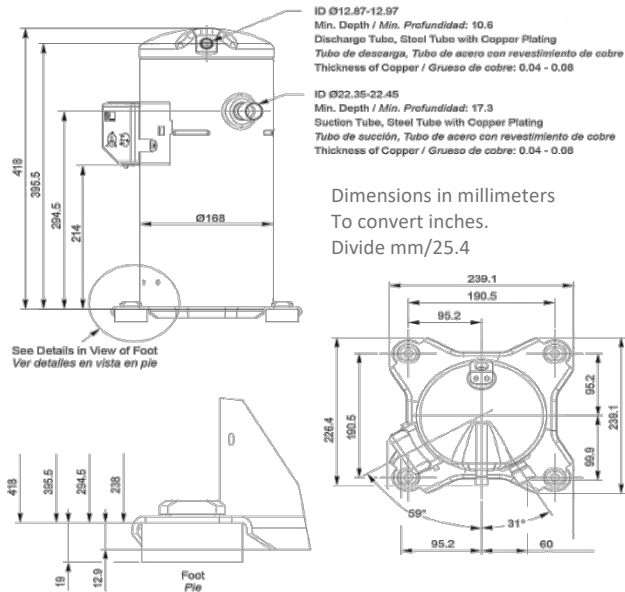
TEST CONDITION AHRI-540-2020   HIGH TEMPERATURE/AIR CONDITINING/CHILLERS						REFRIGERANT	ELECTRIC SUPPLY	TOLERANCE
Units	Te	Tc	SH	SC	Tret.	R-22	208-230V /3PH/50-60Hz	± 10%
Imperial °F	45	130	20	15	65			

NOMINAL TEST CONDITION PARAMETERS	Value	Imperial	Value	International	Comments
Frigorific potency	57717	Btuh	16,926	Watt	
Instant energy consumption	4942	Watt	4,942	Watt	
Efficiency   BTUh/W (EER)   W/W (COP)	11.68	Btuh/W	3.46	W/W	
Nominal current consumption	15.5	A	15.5	A	
Nominal Displacement	4.74	ln/Rev	77.6	Cm <sup>2</sup> /Rev.	
Total heat rejection	74,569	Btuh	20,764	Watt	

Mechanical data	
Displacement at 3500 RPM	6.11 CFM
Commercial Horsepower	4.6HP
Compressor Weight	31 kg (68.2 Lb.)
3GS Oil original charge	1.4 L (49 Oz.)
3GS oil refilling charge	1.25 L (44 Oz.)
Center holes mounting	7.5 x 7.5 in
Required food print	9.5 x 9.5 in
Total height	418mm 16.5 in
Ø Discharge tube	½"
Ø Suction Tube	7/8"

Electrical data	
Max braker protection	15.5A
Locked Rotor Amp. LRA	99A
Voltage range	208 – 230 V AC
Phases	1
Electric supply frequency	50 - 60 HZ
VFD app range	30 - 70 Hz
Run capacitor	
Start capacitor	None
Start relay	None
Crankcase heater	70 W



Frigorific potency in Btuh performance at different conditions in °F								
↓Tc   Te→	-13	0	10	20	30	40	50	54
77	20730	29063	36747	45695	56009	67894	81452	87360
80	20320	28619	36269	45115	55360	67108	80598	86472
90	19057	27117	34527	43100	53072	64479	77559	83296
100	17793	25580	32717	41016	50613	61678	74348	79915
110		24009	30839	38831	48052	58707	70967	76329
120			28927	36508	45354	55599	67347	72504
130				34118	42553	52286	63556	68474

Instantaneous potency in W performance at different conditions in °F								
↓Tc   Te→	-13	0	10	20	30	40	50	54
77	17793	25580	32717	41016	50613	61678	74348	79915
80		24009	30839	38831	48052	58707	70967	76329
90			28927	36508	45354	55599	67347	72504
100	3185	3327	3396	3442	3478	3515	3566	3592
110		3758	3820	3860	3890	3921	3966	3990
120			4312	4343	4365	4388	4426	4447
130				4904	4916	4930	4958	4976

Current consumption in Ampere								
-13	0	10	20	30	40	50	54	
9.62	9.95	10.11	10.23	10.32	10.41	10.53	10.6	
9.8	10.14	10.3	10.41	10.51	10.6	10.73	10.79	
10.48	10.81	10.98	11.1	11.19	11.28	11.41	11.47	
11.29	11.62	11.78	11.89	11.98	12.07	12.19	12.25	
	12.59	12.75	12.85	12.92	13	13.11	13.16	
		13.92	14	14.06	14.12	14.21	14.26	
			15.39	15.43	15.47	15.53	15.58	

Mass flow in Lb/h								
-13	0	10	20	30	40	50	54	
116.75	164.13	205.64	252.49	305.84	366.47	435.6	465.76	
115.95	163.42	204.99	251.92	305.36	366.1	435.34	465.55	
113.37	160.98	202.7	249.8	303.45	364.43	433.94	464.27	
110.81	158.38	200.1	247.24	300.96	362.03	431.67	462.05	
	155.54	197.12	244.16	297.79	358.82	428.44	458.83	
		193.67	240.45	293.87	354.71	424.17	454.51	
			236.06	289.11	349.62	418.79	449.01	