

TECHNICAL DATASHEET: YH150A3

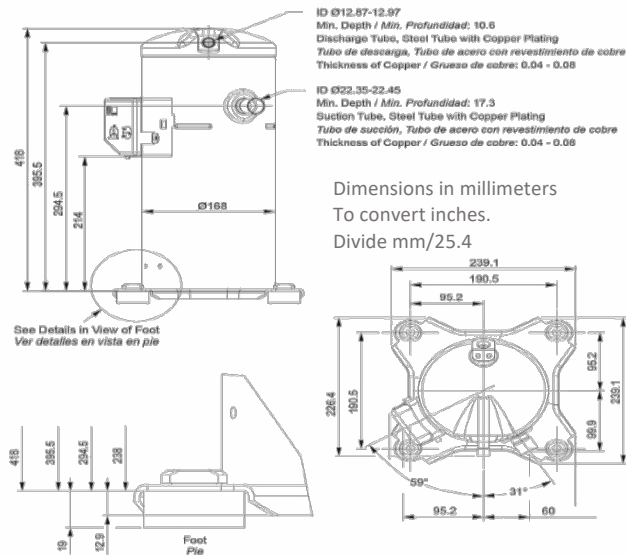
Archivo	Revisión	Elaboro	Hoja
YH150A3_TDS	03/2023	RGE	1

TEST CONDITION AHRI-540-2020 HIGH TEMPERATURE/AIR CONDITINING/CHILLERS								TOLERANCE
Units	Te	Tc	SH	SC	Tret.	R-22	460V /3PH/50-60Hz	± 10%
Imperial °F	45	130	20	15	65			

NOMINAL TEST CONDITION PARAMETERS	Value	Imperial	Value	International	Comments
Frigorific potency	61849	Btuh	18,138	Watt	
Instant energy consumption	5496	Watt	5496	Watt	
Efficiency BTUh/W (EER) W/W (COP)	11.25	Btuh/W	3.30	W/W	
Nominal current consumption	25.58	A	25.58	A	
Nominal Displacement	0.00	ln/Rev	83.3	cm ³ /Rev.	
Total heat rejection	80,590	Btuh	22,056	Watt	

Mechanical data	
Displacement at 3500 RPM	4.76 CFM
Commercial Horsepower	5HP
Compressor Weight	33 kg (72.6 Lb.)
POE Oil original charge	1.4 L (49 Oz.)
POE oil refilling charge	1.25 L (44 Oz.)
Center holes mounting	7.5 x 7.5 in
Required food print	9.5 x 9.5 in
Total height	16.5 in
Ø Discharge tube	1/2"
Ø Suction Tube	7/8"

Electrical data	
Braker protection MOC	10 A.
Locked Rotor Amp. LRA	45 A.
Voltage range	460 VAC
Phases	3
Electric supply frequency	50 - 60 HZ
VFD app range	35 - 65 Hz
Run capacitor	None
Start capacitor	None
Start relay	None
Crankcase heater	70 W



Frigorific potency in Btuh performance at different conditions in °F								
↓Tc Te→	-13	0	10	20	30	40	50	54
77	22199	31181	39411	48974	60039	72743	87292	93644
80	21789	30702	38865	48359	59322	71924	86370	92688
90	20423	29063	36986	46207	56863	69123	83160	89273
100	19091	27424	35074	43953	54267	66118	79710	85653
110		25716	33059	41597	51535	62942	76056	81794
120			30976	39138	48632	59595	72197	77729
130				36577	45593	56043	68099	73392

Instantaneous potency in W performance at different conditions in °F								
↓Tc Te→	-13	0	10	20	30	40	50	54
77	2732	2899	2982	3041	3088	3135	3194	3225
80	2835	3001	3084	3142	3188	3235	3294	3325
90	3201	3361	3441	3496	3539	3583	3641	3671
100	2732	2899	2982	3041	3088	3135	3194	3225
110	2835	3001	3084	3142	3188	3235	3294	3325
120	3201	3361	3441	3496	3539	3583	3641	3671
130	2732	2899	2982	3041	3088	3135	3194	3225

Current consumption in Ampere							
-13	0	10	20	30	40	50	54
12.99	13.72	14.08	14.33	14.53	14.73	15.01	15.15
13.43	14.16	14.51	14.76	14.96	15.16	15.44	15.58
14.99	15.71	16.06	16.3	16.49	16.68	16.95	17.09
16.81	17.5	17.84	18.06	18.23	18.41	18.66	18.79
	19.61	19.91	20.11	20.25	20.41	20.63	20.75
		22.37	22.53	22.64	22.76	22.94	23.05
			25.39	25.45	25.52	25.67	25.76

Mass flow in Lb/h							
-13	0	10	20	30	40	50	54
118.73	169.69	214.39	264.9	322.45	387.89	462.5	495.06
	166.65	211.2	261.6	319.06	384.45	459.05	491.61
		207.5	257.63	314.86	380.05	454.47	486.98
125.09	175.86	220.32	270.52	327.68	392.65	466.71	499.03
124.23	175.09	219.63	269.92	327.17	392.25	466.43	498.8
121.47	172.48	217.18	267.65	325.13	390.46	464.93	497.43
125.09	175.86	220.32	270.52	327.68	392.65	466.71	499.03