

TECHNICAL DATASHEET: YH150C1

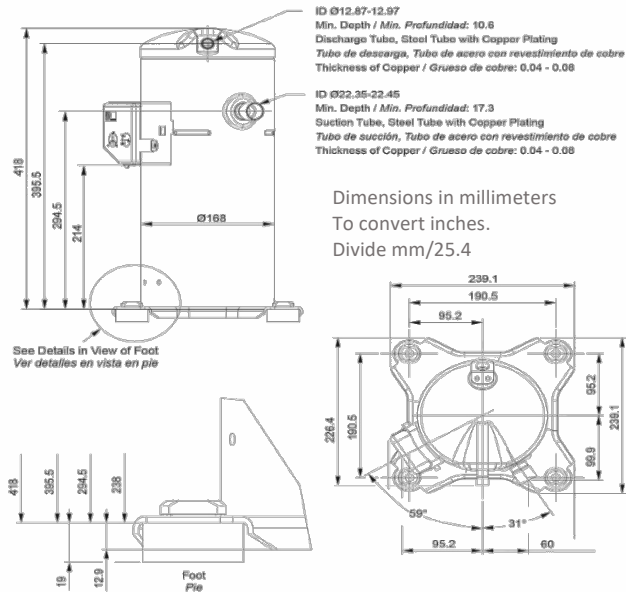
Archivo	Revisión	Elaboro	Hoja
YH150C1_TDS	03/2023	RGE	1

TEST CONDITION AHRI-540-2020 HIGH TEMPERATURE/AIR CONDITINING/CHILLERS						R-410A	460V /3PH/50-60Hz	TOLERANCE ± 10%
Units	Te	Tc	SH	SC	Tret.			
Imperial °F	45	130	20	15	65			

NOMINAL TEST CONDITION PARAMETERS	Value	Imperial	Value	International	Comments
Frigorific potency	62225	Btuh	18,248	Watt	
Instant energy consumption	5903	Watt	5903	Watt	
Efficiency BTUh/W (EER) W/W (COP)	10.54	Btuh/W	3.09	W/W	
Nominal current consumption	9.05	A	9.05	A	
Nominal Displacement	0.00	In/Rev	59,2	Cm ² /Rev.	
Total heat rejection	82,354	Btuh	24,151	Watt	

Mechanical data	
Displacement at 3500 RPM	4.76 CFM
Commercial Horsepower	5HP
Compressor Weight	33 kg (72.6 Lb.)
POE Oil original charge	1.4 L (49 Oz.)
POE oil refilling charge	1.25 L (44 Oz.)
Center holes mounting	7.5 x 7.5 in
Required food print	9.5 x 9.5 in
Total height	16.5 in
Ø Discharge tube	½"
Ø Suction Tube	7/8"

Electrical data	
Braker protection MOC	10 A.
Locked Rotor Amp. LRA	45 A.
Voltage range	460 VAC
Phases	3
Electric supply frequency	50 - 60 HZ
VFD app range	35 - 65 Hz
Run capacitor	None
Start capacitor	None
Start relay	None
Crankcase heater	70 W



Frigorific potency in Btuh performance at different conditions in °F								
↓Tc Te→	-13	0	10	20	30	40	50	54
77	24623	34698	43407	53482	65367	79471	96342	103958
80	23906	33913	42519	52423	64103	77969	94532	102011
90	21755	31590	39855	49281	60312	73358	88931	95967
100	19706	29405	37430	46412	56829	69123	83774	90400
110		27185	34971	43578	53448	65059	78856	85072
120			32273	40538	49930	60893	73870	79710
130				37055	46037	56385	68611	74109

Instantaneous potency in W performance at different conditions in °F								
↓Tc Te→	-13	0	10	20	30	40	50	54
77	3055	3034	3016	3006	3015	3052	3126	3168
80	3205	3177	3152	3136	3138	3167	3233	3272
90	3715	3664	3621	3585	3564	3570	3610	3638
100	4264	4193	4133	4078	4038	4021	4038	4057
110		4787	4712	4641	4583	4547	4542	4552
120			5388	5302	5228	5174	5151	5152
130				6085	5997	5928	5887	5881

Current consumption in Ampere							
-13	0	10	20	30	40	50	54
5.95	5.96	5.92	5.89	5.9	5.99	6.18	6.29
6.06	6.04	5.98	5.93	5.9	5.95	6.1	6.2
6.54	6.47	6.37	6.24	6.14	6.09	6.13	6.18
7.15	7.09	6.97	6.82	6.67	6.56	6.52	6.54
	7.81	7.71	7.56	7.4	7.27	7.19	7.19
		8.49	8.39	8.26	8.14	8.06	8.05
			9.22	9.15	9.08	9.03	9.03

Mass flow in Lb/h							
-13	0	10	20	30	40	50	54
129.44	183.52	226.58	274.87	332.29	402.33	488.98	529.01
126.4	180.55	223.35	271.11	327.73	396.71	482.02	521.44
119.51	174.72	217.3	263.95	318.55	384.62	466.12	503.77
114.98	172.54	215.89	262.41	315.99	380.13	458.8	495.07
	170.67	215.78	263.16	316.7	379.91	456.74	492.02
		213.61	262.84	317.33	380.59	456.57	491.27
			258.11	314.54	378.83	454.96	489.45