

TECHNICAL DATASHEET: YH175A7

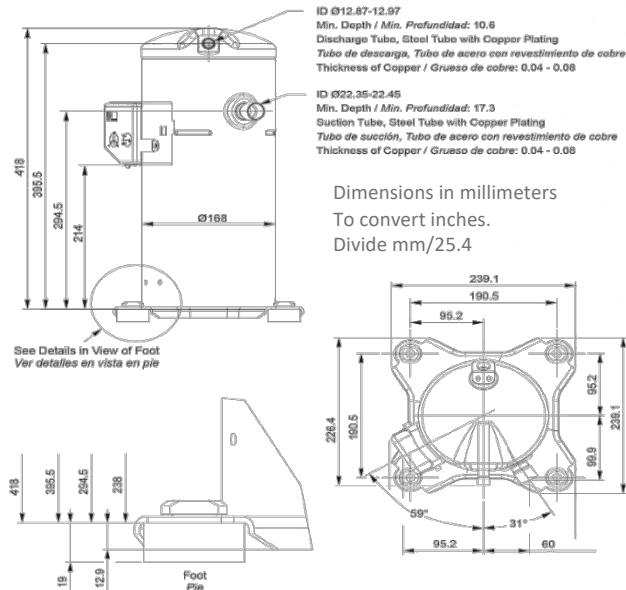
Archivo	Revisión	Elaboro	Hoja
YH175A7_TDS	03/2023	RGE	1

TEST CONDITION AHRI-540-2020 HIGH TEMPERATURE/AIR CONDITINING/CHILLERS						REFRIGERANT	ELECTRIC SUPPLY	TOLERANCE
Units	Te	Tc	SH	SC	Tret.	R-22	208-230V /3PH/50-60Hz	± 10%
Imperial °F	45	130	20	15	65			

NOMINAL TEST CONDITION PARAMETERS	Value	Imperial	Value	International	Comments
Frigorific potency	72231	Btuh	21,182	Watt	
Instant energy consumption	6129	Watt	6,129	Watt	
Efficiency BTUh/W (EER) W/W (COP)	11.79	Btuh/W	3.43	W/W	
Nominal current consumption	19.2	A	19.2	A	
Nominal Displacement	5.93	In/Rev	97.1	Cm³/Rev.	
Total heat rejection	93,131	Btuh	23,433	Watt	

Mechanical data	
Displacement at 3500 RPM	6.11 CFM
Commercial Horsepower	6HP
Compressor Weight	31 kg (68.2 Lb.)
3GS Oil original charge	1.4 L (49 Oz.)
3GS oil refilling charge	1.25 L (44 Oz.)
Center holes mounting	7.5 x 7.5 in
Required food print	9.5 x 9.5 in
Total height	418mm 16.5 in
Ø Discharge tube	½"
Ø Suction Tube	7/8"

Electrical data	
Max braker protection	15.5A
Locked Rotor Amp. LRA	99A
Voltage range	208 – 230 V AC
Phases	1
Electric supply frequency	50 - 60 HZ
VFD app range	30 - 70 Hz
Run capacitor	
Start capacitor	None
Start relay	None
Crankcase heater	70 W



Frigorific potency in Btuh performance at different conditions in °F								
↓Tc Te→	-13	0	10	20	30	40	50	54
77	25921	36372	46002	57170	70079	84936	101909	109320
80	25443	35825	45354	56419	69260	83979	100816	108193
90	23838	33947	43202	53926	66391	80701	97059	104197
100	22267	32000	40948	51296	63352	77183	93029	99962
110		30019	38592	48564	60141	73460	88795	95488
120			36167	45695	56760	69533	84252	90707
130				42690	53208	65435	79505	85687

Instantaneous potency in W performance at different conditions in °F								
↓Tc Te→	-13	0	10	20	30	40	50	54
77	2929	3122	3219	3288	3341	3396	3465	3500
80	3049	3241	3337	3404	3458	3512	3581	3616
90	3472	3658	3750	3814	3864	3915	3982	4016
100	3950	4126	4212	4270	4314	4360	4423	4455
110		4661	4738	4788	4825	4863	4919	4949
120			5348	5387	5414	5443	5490	5516
130				6083	6097	6115	6150	6172

Current consumption in Ampere								
-13	0	10	20	30	40	50	54	
11.92	12.33	12.53	12.67	12.78	12.9	13.05	13.13	
12.15	12.56	12.76	12.91	13.02	13.13	13.29	13.37	
12.98	13.4	13.61	13.75	13.86	13.98	14.13	14.22	
13.99	14.4	14.6	14.74	14.84	14.95	15.1	15.18	
	15.6	15.79	15.92	16.01	16.11	16.24	16.31	
		17.24	17.35	17.42	17.5	17.61	17.67	
			19.07	19.12	19.17	19.25	19.3	

Mass flow in Lb/h								
-13	0	10	20	30	40	50	54	
146.08	205.37	257.3	315.92	382.67	458.54	545.04	582.78	
145.08	204.47	256.49	315.21	382.08	458.08	544.71	582.51	
141.85	201.42	253.62	312.56	379.69	455.99	542.96	580.9	
138.65	198.17	250.37	309.36	376.57	452.98	540.12	578.14	
	194.62	246.65	305.5	372.61	448.97	536.08	574.11	
		242.33	300.86	367.7	443.82	530.74	568.7	
			295.36	361.75	437.46	524	561.82	