

TECHNICAL DATASHEET: YH175C7

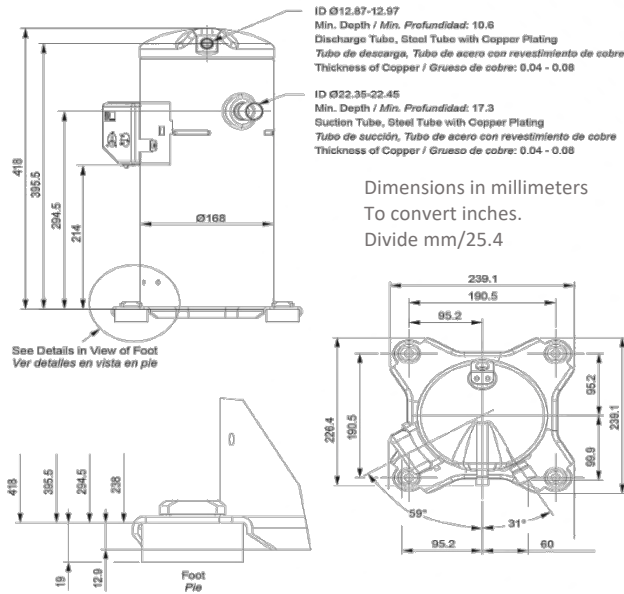
Archivo	Revisión	Elabora	Hoja
YH175C7_TDS	03/2023	RGE	1

TEST CONDITION AHRI-540-2020 HIGH TEMPERATURE/AIR CONDITINING/CHILLERS						REFRIGERANT	59	TOLERANCE
Units	Te	Tc	SH	SC	Tret.	R410A	208-230V /3PH/50-60Hz	± 10%
Imperial °F	45	130	20	15	65			

NOMINAL TEST CONDITION PARAMETERS	Value	Imperial	Value	International	Comments
Frigorific potency	71548	Btuh	20,982	Watt	
Instant energy consumption	6721	Watt	6,721	Watt	
Efficiency BTUh/W (EER) W/W (COP)	10.65	Btuh/W	3.12	W/W	
Nominal current consumption	21.61	A	21.61	A	
Nominal Displacement	4.03	In/Rev	66.1	Cm ² /Rev.	
Total heat rejection	94,467	Btuh	27,703	Watt	

Mechanical data	
Displacement at 3500 RPM	6.11 CFM
Commercial Horsepower	6HP
Compressor Weight	31 kg (68.2 Lb.)
3GS Oil original charge	1.4 L (49 Oz.)
3GS oil refilling charge	1.25 L (44 Oz.)
Center holes mounting	7.5 x 7.5 in
Required food print	9.5 x 9.5 in
Total height	418mm 16.5 in
Ø Discharge tube	½"
Ø Suction Tube	7/8"

Electrical data	
Max braker protection	15.5A
Locked Rotor Amp. LRA	99A
Voltage range	208 – 230 V AC
Phases	1
Electric supply frequency	50 - 60 HZ
VFD app range	30 - 70 Hz
Run capacitor	
Start capacitor	None
Start relay	None
Crankcase heater	70 W



Frigorific potency in Btuh performance at different conditions in °F								
↓Tc Te→	-13	0	10	20	30	40	50	54
77	28312	39889	49896	61473	75134	91356	110754	119497
80	27492	39001	48905	60278	73700	89648	108671	117277
90	25033	36303	45832	56658	69328	84321	102250	110310
100	22677	33810	43031	53345	65332	79471	96308	103924
110		31249	40231	50101	61439	74792	90639	97777
120			37089	46617	57409	69977	84901	91629
130				42621	52935	64820	78891	85209

Current consumption in Ampere							
-13	0	10	20	30	40	50	54
14.22	14.22	14.14	14.07	14.09	14.29	14.74	15.01
14.47	14.42	14.28	14.15	14.09	14.21	14.56	14.79
15.61	15.46	15.2	14.91	14.66	14.54	14.63	14.75
17.07	16.93	16.64	16.28	15.93	15.66	15.57	15.6
	18.64	18.4	18.05	17.68	17.36	17.17	17.16
		20.27	20.03	19.72	19.43	19.24	19.21
			22	21.85	21.68	21.56	21.55

Instantaneous potency in W performance at different conditions in °F								
↓Tc Te→	-13	0	10	20	30	40	50	54
77	3478	3454	3433	3423	3433	3475	3559	3606
80	3649	3617	3589	3571	3573	3606	3681	3725
90	4230	4172	4123	4081	4058	4064	4110	4142
100	4854	4774	4706	4643	4597	4578	4598	4619
110		5451	5365	5284	5218	5177	5172	5183
120			6134	6037	5952	5891	5864	5866

Mass flow in Lb/h							
-13	0	10	20	30	40	50	54
148.81	210.98	260.48	316	382	462.53	562.14	608.16
145.31	207.56	256.77	311.68	376.76	456.06	554.13	599.45
137.39	200.86	249.81	303.44	366.21	442.17	535.86	579.14
132.19	198.35	248.19	301.67	363.26	437.01	527.44	569.14
	196.2	248.06	302.53	364.08	436.75	525.07	565.64
		245.57	302.17	364.8	437.53	524.88	564.77