

TECHNICAL DATASHEET: YH200A1

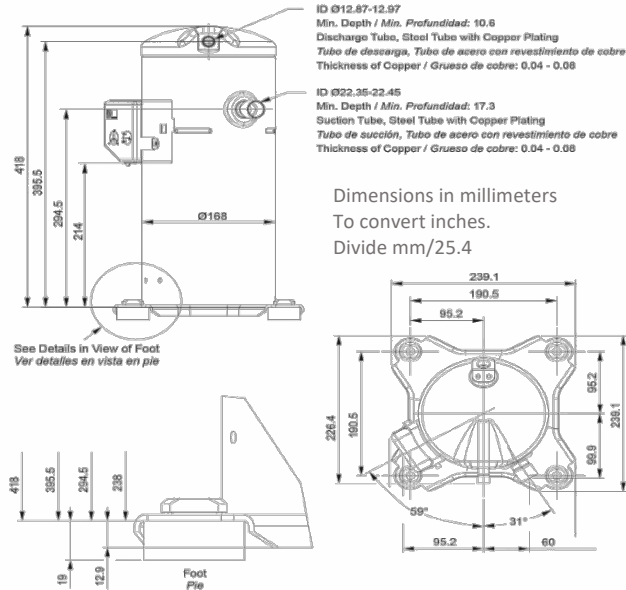
Archivo	Revisión	Elaboro	Hoja
YH200A1_TDS	03/2023	RGE	1

TEST CONDITION AHRI-540-2020 HIGH TEMPERATURE/AIR CONDITINING/CHILLERS						REFRIGERANT	ELECTRIC SUPPLY	TOLERANCE
Units	Te	Tc	SH	SC	Tret.	R-22	208-230V /3PH/50-60Hz	± 10%
Imperial °F	45	130	20	15	65			

NOMINAL TEST CONDITION PARAMETERS	Value	Imperial	Value	International	Comments
Frigorific potency	82613	Btuh	21,182	Watt	
Instant energy consumption	7106	Watt	6,123	Watt	
Efficiency BTUh/W (EER) W/W (COP)	11.80	Btuh/W	3.43	W/W	
Nominal current consumption	10.65	A	9.18	A	
Nominal Displacement	5.93	ln/Rev	107.05	Cm ² /Rev.	
Total heat rejection	93,110	Btuh	21,872	Watt	

Mechanical data	
Displacement at 3500 RPM	6.11 CFM
Commercial Horsepower	7HP
Compressor Weight	31 kg (68.2 Lb.)
3GS Oil original charge	1.4 L (49 Oz.)
3GS oil refilling charge	1.25 L (44 Oz.)
Center holes mounting	7.5 x 7.5 in
Required food print	9.5 x 9.5 in
Total height	418mm 16.5 in
Ø Discharge tube	½"
Ø Suction Tube	7/8"

Electrical data	
Max braker protection	15.5A
Locked Rotor Amp. LRA	99A
Voltage range	208 – 230 V AC
Phases	1
Electric supply frequency	50 - 60 HZ
VFD app range	30 - 70 HZ
Run capacitor	
Start capacitor	None
Start relay	None
Crankcase heater	70 W



Frigorific potency in Btuh performance at different conditions in °F								
↓Tc Te→	-13	0	10	20	30	40	50	54
77	29644	41597	52594	65367	80154	97128	116526	124996
80	29097	40948	51877	64513	79198	96035	115296	123698
90	27287	38796	49383	61678	75919	92244	110993	119156
100	25477	36577	46822	58673	72436	88248	106383	114306
110		34323	44124	55531	68782	84013	101533	109183
120			41358	52252	64923	79540	96342	103719
130				48803	60858	74792	90912	97981

Instantaneous potency in W performance at different conditions in °F								
↓Tc Te→	-13	0	10	20	30	40	50	54
77	3400	3624	3736	3815	3878	3941	4021	4062
80	3539	3761	3873	3951	4013	4075	4155	4196
90	4030	4245	4352	4426	4484	4544	4621	4661
100	4584	4789	4888	4955	5007	5061	5133	5171
110		5410	5499	5556	5599	5644	5709	5744
120			6207	6252	6283	6317	6371	6402
130				7060	7077	7097	7137	7163

Current consumption in Ampere								
-13	0	10	20	30	40	50	54	
6.61	6.84	6.95	7.03	7.09	7.16	7.24	7.29	
6.74	6.97	7.08	7.16	7.22	7.29	7.37	7.42	
7.2	7.43	7.55	7.63	7.69	7.76	7.84	7.89	
7.76	7.99	8.1	8.18	8.24	8.3	8.38	8.42	
	8.66	8.76	8.83	8.88	8.94	9.01	9.05	
		9.57	9.63	9.67	9.71	9.77	9.8	
			10.58	10.61	10.63	10.68	10.71	

Mass flow in Lb/h								
-13	0	10	20	30	40	50	54	
167.08	234.89	294.29	361.33	437.68	524.46	623.39	666.56	
165.94	233.87	293.36	360.53	437	523.93	623.01	666.25	
162.25	230.38	290.08	357.5	434.27	521.54	621.01	664.41	
158.59	226.66	286.36	353.83	430.7	518.1	617.76	661.25	
	222.6	282.1	349.41	426.17	513.51	613.15	656.64	
		277.16	344.11	420.56	507.63	607.04	650.45	
			337.82	413.75	500.34	599.33	642.58	