

TECHNICAL DATASHEET: YH200A7

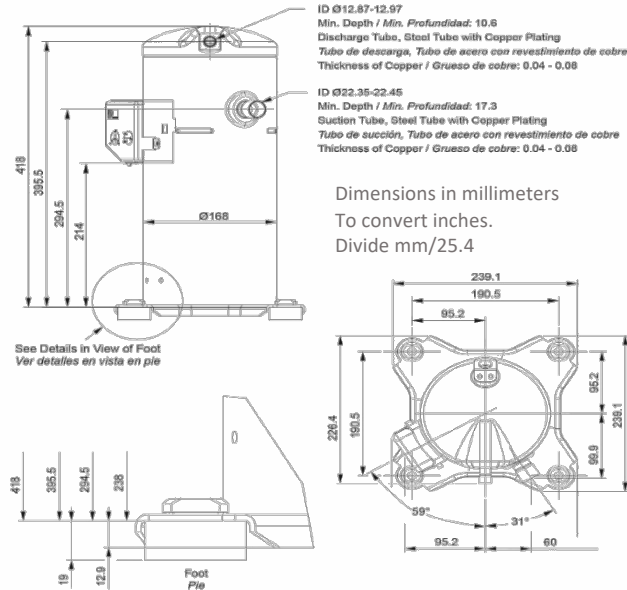
| Archivo | Revisión | Elaboro | Hoja |
|-------------|----------|---------|------|
| YH200A7_TDS | 03/2023 | RGE | 1 |

| TEST CONDITION AHRI-540-2020 HIGH TEMPERATURE/AIR CONDITINING/CHILLERS | | | | | | REFRIGERANT | ELECTRIC SUPPLY | TOLERANCE |
|--|----|-----|----|----|-------|-------------|-----------------------|-----------|
| Units | Te | Tc | SH | SC | Tret. | R-22 | 208-230V /3PH/50-60Hz | ± 10% |
| Imperial °F | 45 | 130 | 20 | 15 | 65 | | | |

| NOMINAL TEST CONDITION PARAMETERS | Value | Imperial | Value | International | Comments |
|---------------------------------------|---------|----------|--------|---------------|----------|
| Frigorific potency | 82613 | Btuh | 24,227 | Watt | |
| Instant energy consumption | 7114 | Watt | 7,114 | Watt | |
| Efficiency BTUh/W (EER) W/W (COP) | 11.61 | Btuh/W | 3.41 | W/W | |
| Nominal current consumption | 22.27 | A | 22.27 | A | |
| Nominal Displacement | 6.83 | In/Rev | 107,5 | Cm³/Rev. | |
| Total heat rejection | 106,872 | Btuh | 31,341 | Watt | |

| Mechanical data | |
|--------------------------|------------------|
| Displacement at 3500 RPM | 6.11 CFM |
| Commercial Horsepower | 7HP |
| Compressor Weight | 31 kg (68.2 Lb.) |
| 3GS Oil original charge | 1.4 L (49 Oz.) |
| 3GS oil refilling charge | 1.25 L (44 Oz.) |
| Center holes mounting | 7.5 x 7.5 in |
| Required food print | 9.5 x 9.5 in |
| Total height | 418mm 16.5 in |
| Ø Discharge tube | ½" |
| Ø Suction Tube | 7/8" |

| Electrical data | |
|---------------------------|----------------|
| Max braker protection | 15.5A |
| Locked Rotor Amp. LRA | 99A |
| Voltage range | 208 – 230 V AC |
| Phases | 1 |
| Electric supply frequency | 50 - 60 HZ |
| VFD app range | 30 - 70 Hz |
| Run capacitor | |
| Start capacitor | None |
| Start relay | None |
| Crankcase heater | 70 W |



| Frigorific potency in Btuh performance at different conditions in °F | | | | | | | | |
|--|-------|-------|-------|-------|-------|-------|--------|--------|
| ↓Tc Te→ | -13 | 0 | 10 | 20 | 30 | 40 | 50 | 54 |
| 77 | 29644 | 41597 | 52628 | 65367 | 80154 | 97128 | 116560 | 125030 |
| 80 | 29097 | 40982 | 51877 | 64547 | 79232 | 96035 | 115331 | 123732 |
| 90 | 27287 | 38796 | 49418 | 61678 | 75919 | 92278 | 111027 | 119190 |
| 100 | 25477 | 36611 | 46822 | 58673 | 72436 | 88282 | 106417 | 114340 |
| 110 | | 34357 | 44158 | 55565 | 68782 | 84048 | 101533 | 109217 |
| 120 | | | 41358 | 52252 | 64923 | 79540 | 96376 | 103753 |
| 130 | | | | 48837 | 60858 | 74827 | 90946 | 98016 |

| Instantaneous potency in W performance at different conditions in °F | | | | | | | | |
|--|------|------|------|------|------|------|------|------|
| ↓Tc Te→ | -13 | 0 | 10 | 20 | 30 | 40 | 50 | 54 |
| 77 | 3400 | 3624 | 3736 | 3815 | 3878 | 3941 | 4021 | 4062 |
| 80 | 3539 | 3761 | 3873 | 3951 | 4013 | 4075 | 4155 | 4196 |
| 90 | 4030 | 4245 | 4352 | 4426 | 4484 | 4544 | 4621 | 4661 |
| 100 | 4584 | 4789 | 4888 | 4955 | 5007 | 5061 | 5133 | 5171 |
| 110 | | 5410 | 5499 | 5556 | 5599 | 5644 | 5709 | 5744 |
| 120 | | | 6207 | 6252 | 6283 | 6317 | 6371 | 6402 |
| 130 | | | | 7060 | 7077 | 7097 | 7137 | 7163 |

| Current consumption in Ampere | | | | | | | | |
|-------------------------------|-------|-------|-------|-------|-------|-------|-------|--|
| -13 | 0 | 10 | 20 | 30 | 40 | 50 | 54 | |
| 13.82 | 14.3 | 14.53 | 14.69 | 14.82 | 14.96 | 15.14 | 15.23 | |
| 14.08 | 14.57 | 14.8 | 14.97 | 15.1 | 15.23 | 15.41 | 15.51 | |
| 15.05 | 15.54 | 15.78 | 15.94 | 16.07 | 16.21 | 16.39 | 16.49 | |
| 16.22 | 16.7 | 16.93 | 17.09 | 17.21 | 17.34 | 17.51 | 17.6 | |
| | 18.1 | 18.31 | 18.46 | 18.57 | 18.68 | 18.83 | 18.92 | |
| | | 20 | 20.12 | 20.2 | 20.29 | 20.42 | 20.49 | |
| | | | 22.12 | 22.17 | 22.23 | 22.32 | 22.38 | |

| Mass flow in Lb/h | | | | | | | | |
|-------------------|--------|--------|--------|--------|--------|--------|--------|--|
| -13 | 0 | 10 | 20 | 30 | 40 | 50 | 54 | |
| 167.08 | 234.89 | 294.29 | 361.33 | 437.68 | 524.46 | 623.39 | 666.56 | |
| 165.94 | 233.87 | 293.36 | 360.53 | 437 | 523.93 | 623.01 | 666.25 | |
| 162.25 | 230.38 | 290.08 | 357.5 | 434.27 | 521.54 | 621.01 | 664.41 | |
| 158.59 | 226.66 | 286.36 | 353.83 | 430.7 | 518.1 | 617.76 | 661.25 | |
| | 222.6 | 282.1 | 349.41 | 426.17 | 513.51 | 613.15 | 656.64 | |
| | | 277.16 | 344.11 | 420.56 | 507.63 | 607.04 | 650.45 | |
| | | | 337.82 | 413.75 | 500.34 | 599.33 | 642.58 | |