

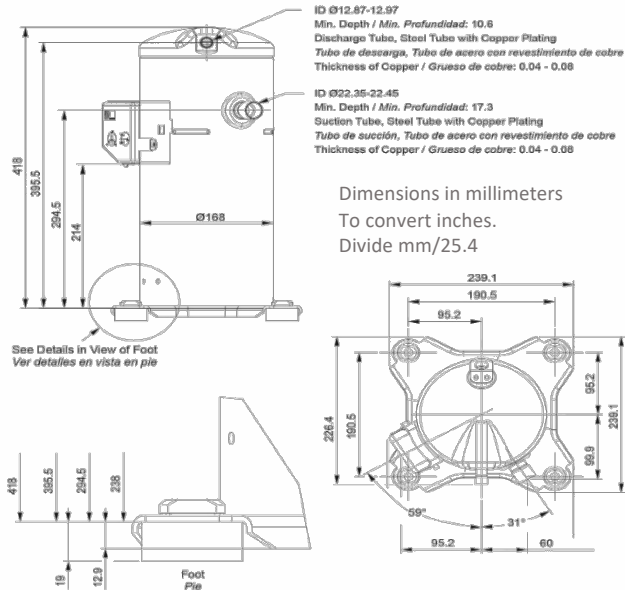
# TECHNICAL DATASHEET: YH230C1

Archivo	Revisión	Elaboro	Hoja
YH230C1_TDS	03/2023	RGE	1

TEST CONDITION AHRI-540-2020   HIGH TEMPERATURE/AIR CONDITINING/CHILLERS						R-410A	460V /3PH/50-60Hz	TOLERANCE ± 10%
Units	Te	Tc	SH	SC	Tret.			
Imperial °F	45	130	20	15	65			

NOMINAL TEST CONDITION PARAMETERS	Value	Imperial	Value	International	Comments
Frigorific potency	95318	Btuh	27,952	Watt	
Instant energy consumption	8758	Watt	8758	Watt	
Efficiency   BTUh/W (EER)   W/W (COP)	10.88	Btuh/W	3.09	W/W	
Nominal current consumption	13.44	A	13.44	A	
Nominal Displacement	0.00	In/Rev	90.8	Cm³/Rev.	
Total heat rejection	125,183	Btuh	24,151	Watt	

Mechanical data	
Displacement at 3500 RPM	4.76 CFM
Commercial Horsepower	8HP
Compressor Weight	33 kg (72.6 Lb.)
POE Oil original charge	1.4 L (49 Oz.)
POE oil refilling charge	1.25 L (44 Oz.)
Center holes mounting	7.5 x 7.5 in
Required food print	9.5 x 9.5 in
Total height	16.5 in
Ø Discharge tube	½"
Ø Suction Tube	7/8"
Electrical data	
Braker protection MOC	15 A.
Locked Rotor Amp. LRA	45 A.
Voltage range	460 VAC
Phases	3
Electric supply frequency	50 - 60 HZ
VFD app range	35 - 65 Hz
Run capacitor	None
Start capacitor	None
Start relay	None
Crankcase heater	70 W



Frigorific potency in Btuh performance at different conditions in °F								
↓ Tc   Te →	-13	0	10	20	30	40	50	54
77	37704	53140	66494	81896	100099	121717	147570	159216
80	36645	51945	65127	80291	98186	119429	144804	156244
90	33332	48359	61063	75475	92346	112359	136231	146989
100	30190	45046	57341	71070	87053	105871	128308	138451
110		41631	53584	66733	81862	99621	120761	130289
120			49418	62088	76500	93234	113145	122093
130				56760	70523	86370	105085	113521
Instantaneous potency in W performance at different conditions in °F								
↓ Tc   Te →	-13	0	10	20	30	40	50	54
77	4532	4501	4474	4460	4473	4528	4637	4699
80	4755	4713	4677	4653	4656	4699	4797	4854
90	5512	5437	5372	5318	5288	5296	5356	5398
100	6325	6221	6132	6050	5990	5966	5991	6018
110		7103	6991	6886	6799	6745	6739	6753
120			7993	7866	7756	7676	7642	7643
130			9028	8896	8794	8734	8725	9028

Current consumption in Ampere							
-13	0	10	20	30	40	50	54
4532	4501	4474	4460	4473	4528	4637	4699
4755	4713	4677	4653	4656	4699	4797	4854
5512	5437	5372	5318	5288	5296	5356	5398
10.62	10.53	10.35	10.13	9.91	9.75	9.69	9.71
	11.59	11.45	11.23	11	10.8	10.69	10.67
		12.61	12.46	12.27	12.09	11.97	11.95
			13.69	13.59	13.49	13.42	13.41
Mass flow in Lb/h							
-13	0	10	20	30	40	50	54
198.25	281.08	347.03	421	508.94	616.22	748.93	810.24
193.6	276.53	342.09	415.24	501.96	607.61	738.26	798.64
183.04	267.6	332.82	404.27	487.9	589.1	713.92	771.58
176.11	264.26	330.66	401.91	483.97	582.22	702.7	758.26
	261.4	330.49	403.06	485.05	581.87	699.55	753.59
		327.17	402.57	486.02	582.91	699.29	752.43
176.11	264.26	330.66	401.91	483.97	582.22	702.7	758.26