

TECHNICAL DATASHEET: YH292C1

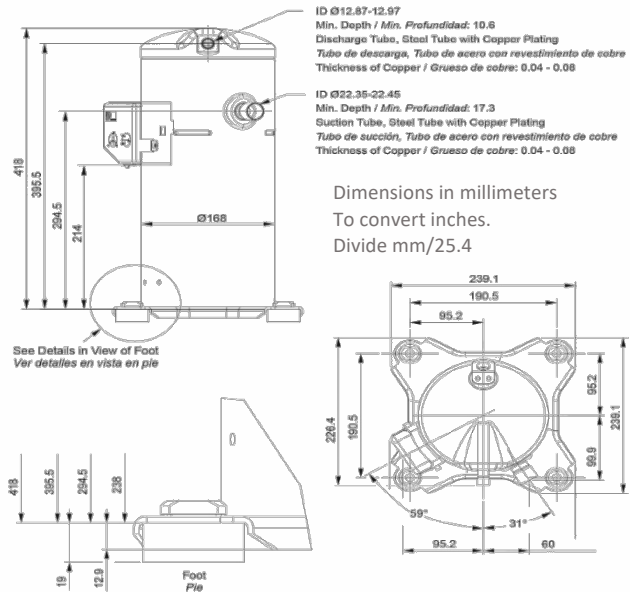
Archivo	Revisión	Elaboro	Hoja
YH292C1_TDS	03/2023	RGE	1

TEST CONDITION AHRI-540-2020 HIGH TEMPERATURE/AIR CONDITINING/CHILLERS						R-410A	460V /3PH/50-60Hz	TOLERANCE ± 10%
Units	Te	Tc	SH	SC	Tret.			
Imperial °F	45	130	20	15	65			

NOMINAL TEST CONDITION PARAMETERS	Value	Imperial	Value	International	Comments
Frigorific potency	120556	Btuh	27,952	Watt	
Instant energy consumption	10972	Watt	8758	Watt	
Efficiency BTUh/W (EER) W/W (COP)	10.88	Btuh/W	3.09	W/W	
Nominal current consumption	16.91	A	13.44	A	
Nominal Displacement	0.00	In/Rev	107,5	Cm³/Rev.	
Total heat rejection	125,183	Btuh	24,151	Watt	

Mechanical data	
Displacement at 3500 RPM	4.76 CFM
Commercial Horsepower	10HP
Compressor Weight	33 kg (72.6 Lb.)
POE Oil original charge	1.4 L (49 Oz.)
POE oil refilling charge	1.25 L (44 Oz.)
Center holes mounting	7.5 x 7.5 in
Required food print	9.5 x 9.5 in
Total height	16.5 in
Ø Discharge tube	½"
Ø Suction Tube	7/8"

Electrical data	
Braker protection MOC	10 A.
Locked Rotor Amp. LRA	45 A.
Voltage range	460 VAC
Phases	3
Electric supply frequency	50 - 60 HZ
VFD app range	35 - 65 Hz
Run capacitor	None
Start capacitor	None
Start relay	None
Crankcase heater	70 W



Frigorific potency in Btuh performance at different conditions in °F								
↓Tc Te→	-13	0	10	20	30	40	50	54
77	47676	67177	84082	103582	126601	153956	186640	201359
80	46310	65674	82374	101567	124176	151019	183122	197568
90	42177	61166	77217	95454	116799	142071	172262	185888
100	38182	56965	72504	89888	110071	133875	162289	175096
110		52662	67757	84389	103548	125986	152727	164748
120			62498	78515	96718	117926	143062	154400
130				71787	89170	109217	132919	143574

Instantaneous potency in W performance at different conditions in °F								
↓Tc Te→	-13	0	10	20	30	40	50	54
77	5678	5639	5605	5588	5604	5672	5810	5888
80	5957	5905	5859	5830	5833	5887	6009	6081
90	6905	6811	6731	6663	6625	6635	6710	6762
100	7925	7794	7682	7580	7505	7474	7506	7540
110		8899	8759	8627	8518	8451	8443	8461
120			10014	9855	9717	9617	9574	9576

Current consumption in Ampere								
-13	0	10	20	30	40	50	54	
11.12	11.13	11.06	11.01	11.03	11.18	11.54	11.75	
11.32	11.28	11.17	11.07	11.03	11.12	11.4	11.58	
12.21	12.09	11.89	11.66	11.47	11.38	11.45	11.54	
13.36	13.25	13.02	12.74	12.46	12.26	12.19	12.21	
	14.58	14.4	14.12	13.83	13.58	13.44	13.42	
		15.86	15.67	15.43	15.21	15.06	15.03	
			17.22	17.1	16.96	16.87	16.87	

Mass flow in Lb/h								
-13	0	10	20	30	40	50	54	
250.72	355.46	438.87	532.41	643.62	779.29	947.12	1024.66	
244.83	349.71	432.61	525.13	634.79	768.4	933.63	1009.99	
231.48	338.41	420.9	511.25	617.02	744.99	902.84	975.77	
222.72	334.19	418.17	508.27	612.05	736.29	888.66	958.92	
	330.57	417.95	509.72	613.42	735.85	884.67	953.01	
		413.76	509.1	614.64	737.17	884.35	951.55	