

TECHNICAL DATASHEET: YH95C1

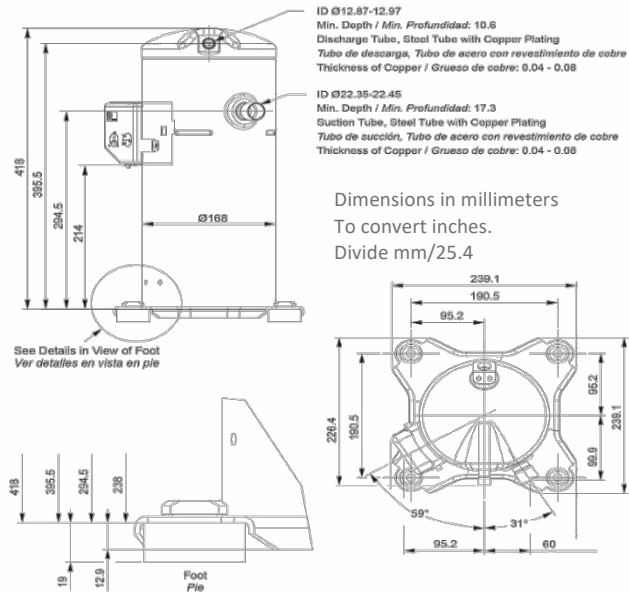
Archivo	Revisión	Elaboro	Hoja
YH95C1_TDS	03/2023	RGE	1

TEST CONDITION AHRI-540-2020 HIGH TEMPERATURE/AIR CONDITINING/CHILLERS						R-410A	460V /3PH/50-60Hz	TOLERANCE ± 10%
Units	Te	Tc	SH	SC	Tret.			
Imperial °F	45	130	20	15	65			

NOMINAL TEST CONDITION PARAMETERS	Value	Imperial	Value	International	Comments
Frigorific potency	39104	Btuh	11,467	Watt	
Instant energy consumption	3819	Watt	3819	Watt	
Efficiency BTUh/W (EER) W/W (COP)	10.24	Btuh/W	3.00	W/W	
Nominal current consumption	5.9	A	5.9	A	
Nominal Displacement	2.35	ln/Rev	38.5	Cm ² /Rev.	
Total heat rejection	52,127	Btuh	15,286	Watt	

Mechanical data	
Displacement at 3500 RPM	4.76 CFM
Commercial Horsepower	3.5 HP
Compressor Weight	33 kg (72.6 Lb.)
POE Oil original charge	1.4 L (49 Oz.)
POE oil refilling charge	1.25 L (44 Oz.)
Center holes mounting	7.5 x 7.5 in
Required food print	9.5 x 9.5 in
Total height	16.5 in
Ø Discharge tube	½"
Ø Suction Tube	7/8"

Electrical data	
Braker protection MOC	10 A.
Locked Rotor Amp. LRA	45 A.
Voltage range	460 VAC
Phases	3
Electric supply frequency	50 - 60 HZ
VFD app range	35 - 65 Hz
Run capacitor	None
Start capacitor	None
Start relay	None
Crankcase heater	70 W



Frigorific potency in Btuh performance at different conditions in °F								
↓Tc Te→	-13	0	10	20	30	40	50	54
77	15471	21789	27253	33571	41050	49930	60517	65298
80	15027	21311	26707	32922	40265	48974	59390	64069
90	13661	19842	25033	30942	37874	46071	55872	60278
100	12397	18476	23496	29166	35689	43407	52628	56794
110		17076	21960	27356	33571	40846	49520	53448
120			20286	25477	31351	38250	46412	50067
130				23292	28927	35415	43100	46549

Instantaneous potency in W performance at different conditions in °F								
↓Tc Te→	-13	0	10	20	30	40	50	54
77	1977	1963	1951	1945	1951	1974	2022	2049
80	2074	2055	2040	2029	2030	2049	2092	2117
90	2404	2371	2343	2319	2306	2310	2336	2354
100	2758	2713	2674	2639	2612	2602	2613	2625
110		3097	3049	3003	2965	2942	2939	2945
120			3486	3430	3382	3348	3332	3333
130				3937	3880	3835	3809	3805

Current consumption in Ampere								
-13	0	10	20	30	40	50	54	
3.88	3.89	3.86	3.84	3.85	3.9	4.03	4.1	
3.95	3.94	3.9	3.87	3.85	3.88	3.98	4.04	
4.26	4.2					4	4.03	
4.66	4.65	4.55	4.45	4.35	4.26	4.26	4.26	
	5.09	5.03	4.93	4.83	4.74	4.69	4.69	
		5.54	5.47	5.39	5.31	5.26	5.25	
			6.01	5.97	5.92	5.89	5.89	

Mass flow in Lb/h								
-13	0	10	20	30	40	50	54	
81.31	115.28	142.33	172.66	208.73	252.73	307.15	332.3	
79.4	113.41	140.3	170.3	205.86	249.19	302.78	327.54	
75.07	109.				6	292.79	316.44	
72.23	108.56	135.01	164.65	196.49	236.78	288.2	310.98	
	107.2	135.54	165.3	198.93	238.64	286.9	309.06	
		134.18	165.1	199.33	239.07	286.79	308.59	
			162.13	197.58	237.96	285.78	307.45	